

# ZAP Controls

## 815-SL Series II Super Drive

### Safety

- Compact size reduces potential for lifting injuries during installation
- Universal shaft mounting system reduces the potential for unsafe work practices during installation
- Fully adjustable automatic obstruction sensing system detects obstructions on any part of the door in the open or close direction while monitoring the entire door movement for unsafe operation or service conditions
- Inherent soft start-soft stop, safety stop-reverse eliminates the mechanical stress damage to the door when the door reverses
- Self determining limit system prevents thrown cables from debris, ice, and snow left in the door opening

### Value

- Continuous duty rated low voltage motor
- Ultra-Quiet DC Motor, will not thermally overload
- Built in Service Due reminder may be activated to ensure regular maintenance based on cycles of usage
- Fully programmable Timer-to-close
- Built in interlock terminals to prevent door operation
- Programmable mid-stop
- Motor maximum amperage draw 2.8 Amps reducing number circuits required for multiple door applications
- Automatic obstruction sensing system surpasses the capabilities of a sensing edge detecting obstructions on any part of the door, eliminating the cost of a safety edge and associated wiring
- Reduces the occurrence of catastrophic damage to the door

### Simplicity

- Simple one person installation that eliminate steel build ups, front of hood mounts, welding, and specialty anchors
- Simplistic maintenance design concept
- PCB based system controller eliminates the cost of servicing electrical contactors, limit systems, and countless other parts
- When the operator emergency release lever is disengaged the door easily operates by hand
- Operates both 25.4mm and 31.75mm Dead Axle Rolling Sheet Doors
- Universal Left or Right hand mounting requiring 0mm of side clearance
- Simple wiring configurations and accessory modules that eliminate external limit relays to achieve various interlock configurations

### Reliability

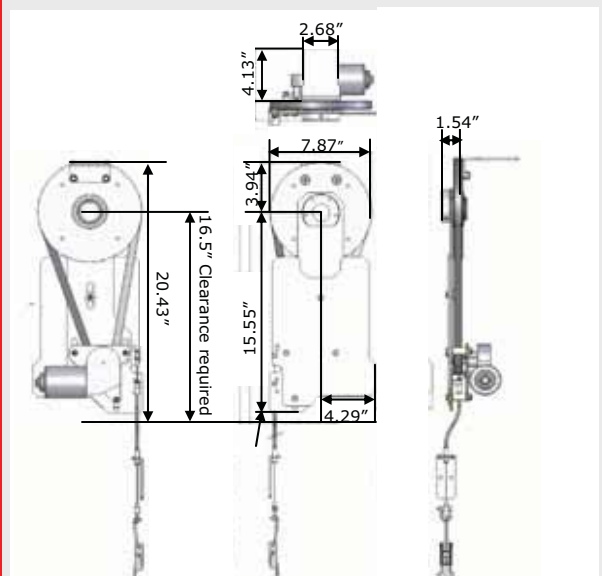
- Industrial components ensure years of service
- DC Motor and controller eliminates the problem of stuck motor switches, limit system failures, burned out starting capacitors and A/C motor malfunctions



**ZAP Controls**  
**815-SL Series II Super-Drive**  
DC Commercial Dead Axle Rolling Sheet Door Operator

### Technical information for the 815-SL Series II

Controller dimensions:	6.5" H X 5.4" W X 4" D
Single phase voltage:	115V US, 208-230V US, 230V EU
Amp draw:	2.8A
Power rating:	650 Newtons Equivalent 1/2 HP
Control circuit voltage:	6VDC
Limits determination:	Physical/Self Calibrating
Duty cycle rating:	Continuous
Operating temp range:	-22 deg F to 212 deg F
Overload protection:	Inherent motor current sensing
Lubrication:	Permanent
Door axle type required:	Dead Axle
Fits Torsion shafts diameter:	1-5/16" Standard 1" w/adaptor PN 600249
Side clearance required:	0mm
Replacement motor PN	600805
Replacement belt PN/size	815-SL 600621(AX38)



815 II SL US

**ZAP Series II**  
**Simply Logical**

Not For Use In Residential Applications

ZAP Controls  
100 Waterloo Blvd. Anglesey Business Park, Littleworth Road, Cannock, Staffordshire, England  
UK Office Number 011-44-154-387-9444 sales@zap-uk.com  
Online www.zap-uk.com

# ZAP Controls

## 815-SL Series II Super-Drive

### Commercial DC Dead Axle Rolling Sheet Door Operator

Door Size W X H	
3'-12"W X 3'-5'11"H	815-II-SL with Short run chip
3'-12"W X 6'-8"H	815-II-SL

Please read the instructions fully or attend training online before installation. Consult factory for door sizes beyond scope provided above. Mount to 1-5/16" dead axle sheet door. 1" axle using adapter. PN 600249. The minimum door height is 6'. Short run chip is available for lower heights.

#### Standard Features

- **Motor and controller**  
Continuous duty rated DC Motor with controller, producing a powerful soft start/soft stop output of 650 Newtons of force to drive commercial rolling sheet doors while reducing mechanical impacts that cause premature wear of door components.
- **Drive reduction**  
Worm drive gearbox & V-belt reduction drive with floor level, adjustable belt tensioning /emergency release lever.
- **Bearings and belts**  
Drive systems use industrial grade bearings and automotive grade long life v-belts. Our simplistic service design concept allows simple service of components in a matter of moments.
- **Construction**  
Heavy-duty 8-gauge electro-plate finish steel frame, industrial bearings, worm drive gear box, aluminum drive pulley, secured with key stock and setscrew for simple servicing.
- **Push button station**  
Control unit acts as the standard 3-button station for open/close/stop functions. Controller may mounted remotely up to 24 feet away from the operator, provided it is to be wired with other external control devices that are designed to function as the primary door controls. Power supply is wired directly to the controller not the motor. Low voltage motor cable is supplied for easy wiring.

#### Value Added Standard Features

- **Automatic obstruction sensing system**  
Inherent motor current sensing system monitors the entire door system for obstructions and unsafe operating conditions in both directions of travel. The system provides protections unavailable with traditional commercial operators and can automatically sense obstructions like locks, broken springs, unsafe service conditions, and other obstructions that cannot be detected by reversing edges and photo cells.
- **Safety stop and reverse**  
Inherent motor current sensing system automatically incorporates and safety stop before reopening in soft start.
- **Auto-close timer**  
Fully programmable auto-close timer automatically closes the door. (4 minutes) Requires the addition of approved photo cell.
- **Part open programming (Programmable mid stop)**  
Programmable part open to stop door at predetermined height.
- **Prevent door operation interlock**  
Built in interlock to prevent door operation, used with truck restraint systems, shared track applications or pass doors.
- **Max run time protection**  
Inherent motor current sensing system provides automatic max runtime protection.
- **Service due reminder**  
May be activated to ensure regularly scheduled maintenance based on cycles of usage.

- **Emergency egress manual operation**  
Emergency manual operation using a ground level over-ride lever disconnect. When lever is released, the door will operate manually by hand as if no operator is connected to the door. This unique system eliminates the need to electrically interlock the disconnect as the operator has no mechanical limits and physically disconnects from all drive systems when released. It also provides ground level adjustment of the motor drive belt.
- **Versatile mounting configurations**  
815 3 SL may be mounted universally in the left hand or right hand position, requiring no specialty brackets for mounting.

#### Options and Accessories

- **Through Beam and Retro-reflective Photo Eyes**  
401001 through beam commercial grade 4 wire photo eye  
401000 retro-reflective commercial grade 4 wire photo eye
- **Receivers and transmitters**  
2, 4, and 6 button handheld and permanently mounted forklift transmitters are available for use with the model 840 receiver. The 840 receiver module can use either an internal or optional external antenna.
- **Battery back up**  
8830 Battery Back up systems allows operation of the operator during power outages.
- **Adapter insert**  
600249 Adapter insert for converting operator to accept 25.4mm dead axle shafts.

#### Available Plug-in Modules

- **Auxiliary Input Expansion Module**  
871 module allows for expansion of input functions and the application of external radio receivers from other manufacturers
- **Fire station module**  
871 FS allows the incorporation of a second set of photo cells above man traffic height that will prevent the auto-close timer from timing out and closing a door before the vehicle has departed the facility. Once the vehicle has departed the opening fully, the timer is released.
- **Dock interlock/Traffic light control w/adv. warning**  
82DTLM and the 822 Modules provide a N/O relay that closes when the door operator is in the fully opened position. It may be used as a dock interlock or to interlock a door that shares the same track system. Provides terminals to operate red/green driver communication lighting where mechanical dock levelers are used. 822 module provides advance warning of pending door closure with activation of the delay close programming. Terminals provided on 82DTLM may also be used to operate security, heating or other 5V to 240V devices up to 5 amps. Expansion port included for the addition of 8070 Auto-Lock, 871 FS, or 871 interface expansion modules.
- **Closed interlock/Traffic light control w/adv. warning**  
82TLM and the 821 Modules provide a N/O relay that closes when the door operator is in the fully closed position. It may be used as a sally port interlock or to interlock any device that requires the door to be in the closed position. Provides terminals to operate red/green through traffic lights where it is desired to know the door is fully opened before proceeding through. 821 module provides advance warning of pending door closure with activation of the delay close programming. Terminals provided may also be used to operate security, heating or other 5V to 240V devices up to 5 amps. Expansion port is included for the addition of 8070 Auto-Lock, 871 FS, or 871 input expansion modules.
- **Loop detectors**  
Both single, and twin loop detectors are available for either plug in or wall mount installation